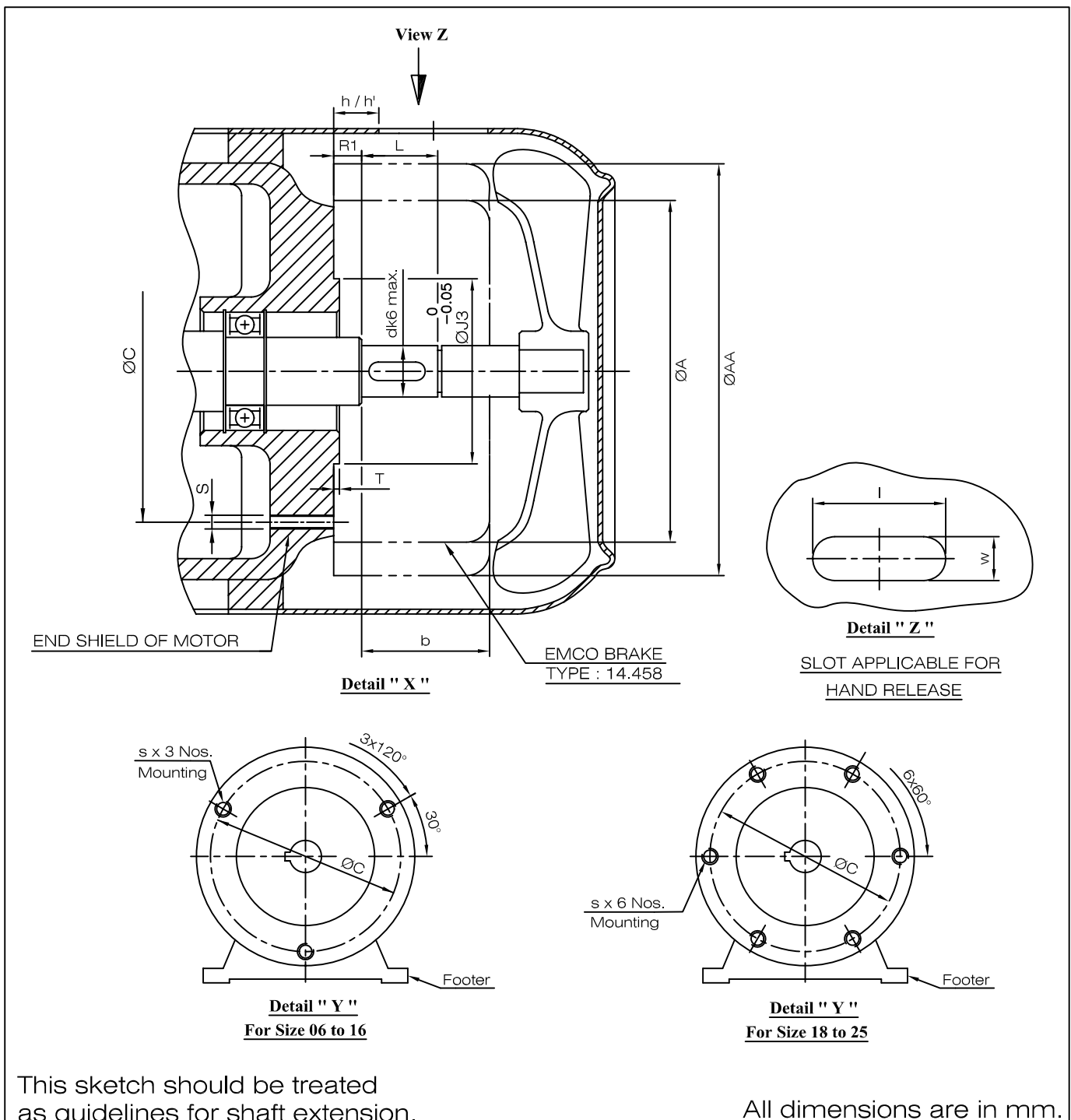


# Shaft Extension Required to mount Emco DC EM Fail Safe Brake Type 14.458 With Flange

Brake size	Ødk6 max.	ØA	ØAA	ØC	s	ØJ3	R1	b	L	T	h	l x w
06	11/15 #	87	120	72	3 x M4	20/31#	7	40	18	2	16.5	60x12
08	15/24 #	105	136	90	3 x M5	30/41#	8.5	46	20	2	18	60x12
10	24	130	159.5	112	3 x M6	40	11	54	20	2	30	60x13
12	28	150	181	132	3 x M6	45	11	62.5	25	3	32	60x13
14	34	165	207	145	3 x M8	55	13	74.5	30	3	36.5	70x15
16	38	190	239	170	3 x M8	65	13.25	80.25	30	3	41	70x15
18	45	217	263	196	6 x M8	75	13.75	95.25	35	3	43.5	80x17
20	50	254	304	230	6 x M10	90	14.5	110.5	40	3	50	85x17
25	70	302	356	278	6 x M10	120	17	119.5	50	3	61	100x19

A : Brake  
AA : Brake with Hand Release

# For size 06 Ød max.=11, ØJ3=20  
" Ød max.=15, ØJ3=31  
# For size 08 Ød max.=15, ØJ3=30  
" Ød max.=24, ØJ3=41



Note : In case, if C pcd is not provided on the motor endshield then please use an adaptor plate to mount the brake. In such case thickness of an adaptor plate is to be added in dimension R1. To ensure position of Hand Release lever upright, kindly provide brake mounting holes as per detail.