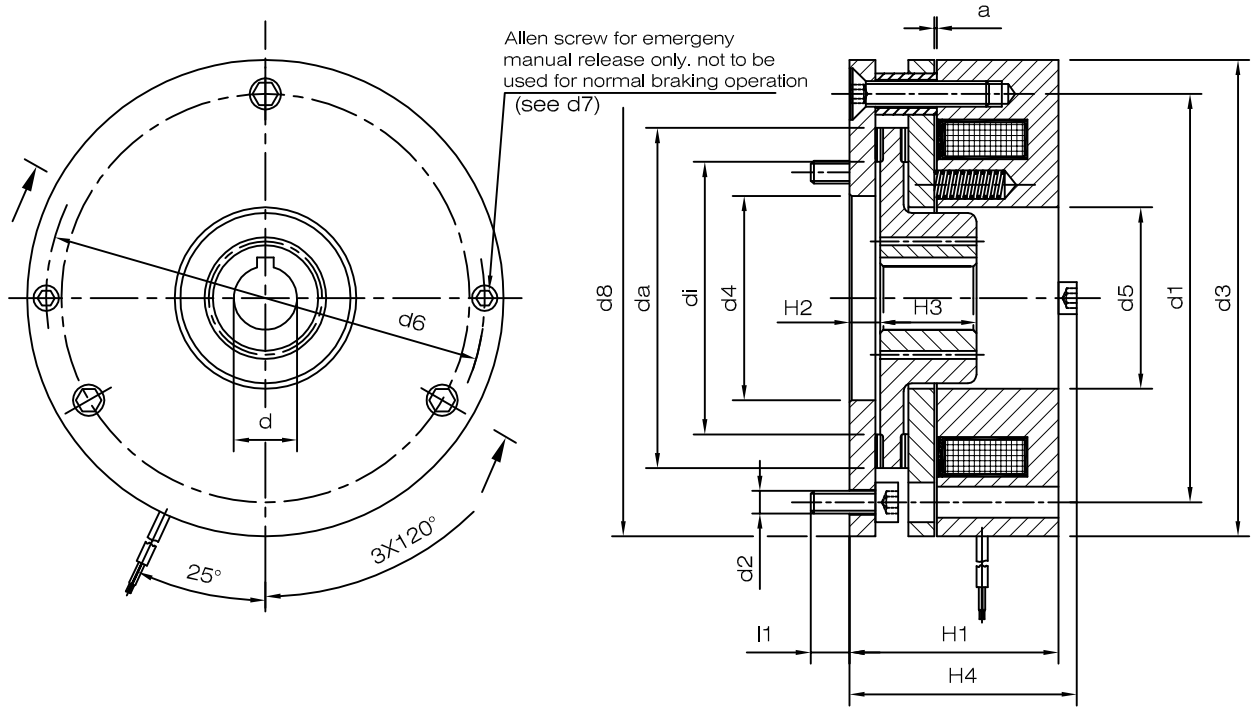


DIMENSIONS



PARAMETERS

Size	Mk	P _{20°}	d H7 Standard	d1	d2	d3	d4	d5	d6	d7	d8	da	di	H1	H2	H3	H4	l1	a	* l2
06	4	20	11/12/14/15	72	3xM4	84	31	31	77	M4x30	85	60	40	41.3	7.5	18	46.3	6	0.2	400
08	8	25	11/12/14/15/20	90	3xM5	102	42	41.5	93.5	M5x35	104	76.5	56	49.8	8.5	20	55.8	9	0.2	400
10	16	32	15/20	112	3xM6	130	44	44	117	M5x40	130	95	66	57.4	10	20	63.4	12	0.2	400
12	32	40	20/25	132	3xM6	150	52	52	136.3	M5x45	150	115	70	63.9	10	25	69.9	12	0.3	400
14	60	53	20/25/30	145	3xM8	165	60	60	150	M6x55	165	124	80	77.3	13	30	84.3	14	0.3	400
16	80	55	25/30/35/38	170	3xM8	190	70	70	174.5	M6x60	190	149	104	83.5	13.3	30	91	14	0.3	600

IMPORTANT : • 1 Nm = 0.102 kgm = 0.737 lb. ft.

- Standard voltages: 24 ,96 ,103, 190 ,205 V.D.C.
Other voltages on request.
- Recommended tolerance for shaft upto Ø50mm = k6
- Mk: Rated torque for the brake in Nm., referred to Δn = 100 rpm
- P 20 : Coil power at 20° C in W, deviation up to ±10% is possible depending on the selected supply voltage.

* l2 - Length of the connecting cable

- keyways to DIN 6885/ IS:2048
- All dimensions are in mm