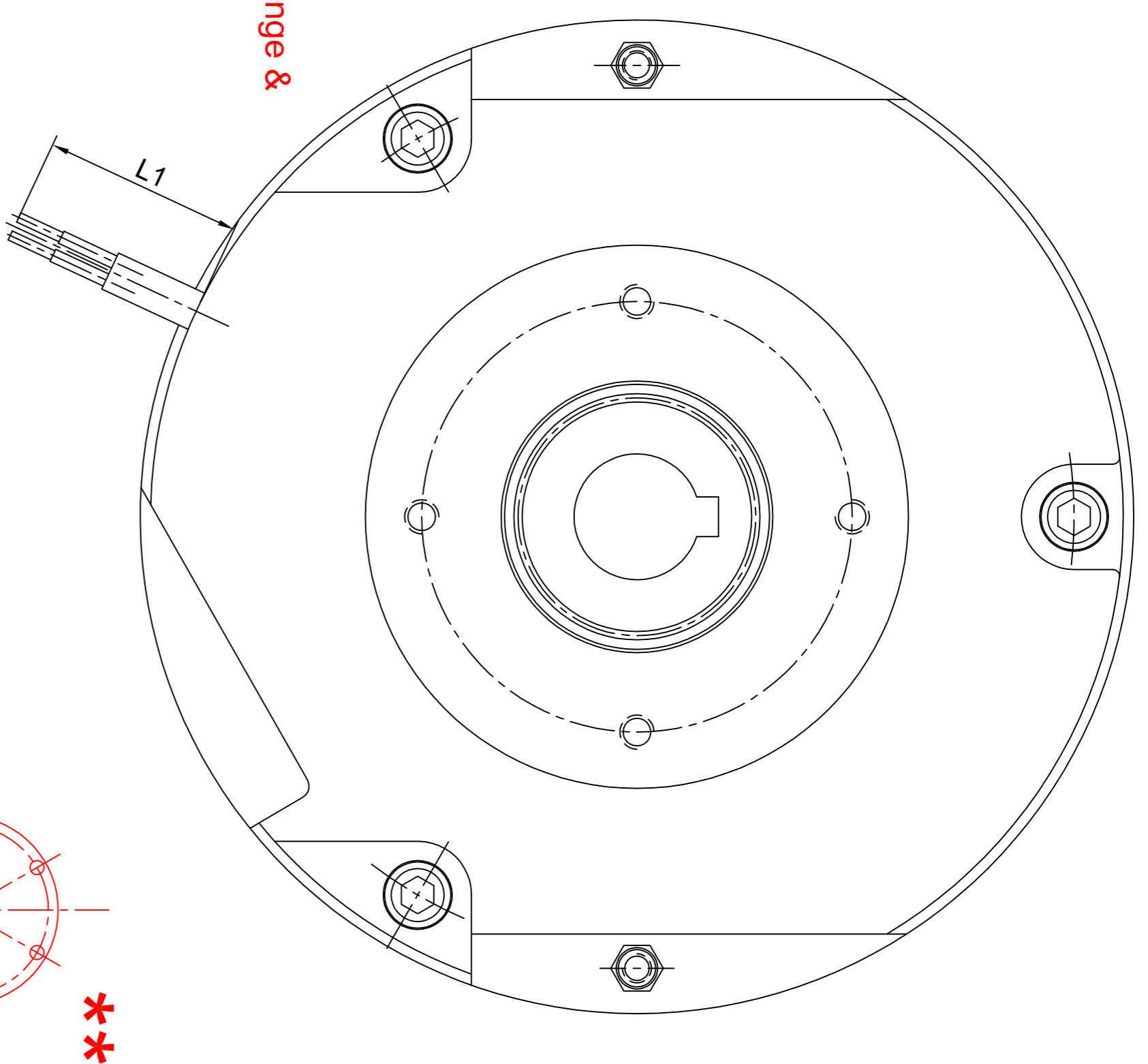


Brake Shown With Mounting Flange & Rubber Seal



PARAMETERS

Brake Size	Torque M rat. [Nm.]	Input Power P20 [W]	ØA	Bo	ØC	D	E	ØE1	E2	ØF	ØJ	ØJ3	ØM	L	Z	P	R	a (Airgap)	L1 (Cable Size)
14.458.06	2 x 4	2 x 20 Watts	87	36.3	72	3 x M4	4 x M4	37.7	10	3 x 4.5	15	20 / 31 #	25	18	1	12	11	0.2	
14.458.08	2 x 8	2 x 25 Watts	105	42.8	90	3 x M5	4 x M5	49	12	3 x 5.5	24 *	30 / 41 #	32	20	1.5	12	12	0.2	410
14.458.10	2 x 16	2 x 30 Watts	130	48.4	112	3 x M6	4 x M5	54	15	3 x 6.6	24 *	40	42	20	2	13	14.5	0.2	410
14.458.12	2 x 32	2 x 40 Watts	150	54.9	132	3 x M6	4 x M5	64	15	3 x 6.6	28 *	45	50	25	2	16	15	0.3	
14.458.14	2 x 60	2 x 50 Watts	165	66.3	145	3 x M8	4 x M6	75	15	3 x 9	34 *	55	60	30	2	17	15	0.3	
14.458.16	2 x 100	2 x 76 Watts	190	72.5	170	3 x M8	4 x M6	85	15	3 x 9	38 *	65	68	30	2.25	20	18	0.3	
14.458.18	2 x 150	2 x 85 Watts	217	83.1	196	6 x M8	4 x M8	95	15	4 x 9 **	45	75	75	35	2.75	20	20	0.4	
14.458.20	2 x 260	2 x 100 Watts	254	97.6	230	6 x M10	4 x M10	110	20	6 x 11	50	90	85	40	3.5	20	20	0.4	610
14.458.25	2 x 400	2 x 110 Watts	302	104.6	278	6 x M10	4 x M10	140	20	6 x 11	70 *	120	115	50	4.5	25	25	0.5	
14.458.31	2 x 600	2 x 140 Watts	302	106.7	278	6 x M10	4 x M10	140	20	6 x 11	70 *	120	115	50	4.5	25	25	0.5	

Scale :- N. T. S.

Drw. By	Himanshu
Appr. By	V.R.Sharma
Date	15.04.2011

EMCO - Simplatroll DC Spring Applied Double Brake Size 14.458.XX (Normally On)

Important :-

- M rat. : Rated brake torque in Nm, referred to = 100 min<sup>1</sup>  
1 Nm = 0.102 kgm = 0.737 lb. Ft.
- Standard voltages : 24 V DC, 96 V DC. & 190 V DC.
- P : Coil power at 20° C
- Permissible voltage change + 5% to - 10%
- Recommended ISO shaft tolerances Up to Ø50 mm = k6, Over Ø50 = m6
- Keyway to DIN 6885 / IS : 2048 ( Js9 )
- \*Non std. keyway depth
- Applicable for flange bore 20 / 30
- # For size 06 ØJ ≤ 11, ØJ3 = 20  
For size 06 ØJ ≥ 12, ØJ3 = 31
- # For size 08 ØJ ≤ 15, ØJ3 = 30  
For size 08 ØJ ≥ 16, ØJ3 = 41
- Specifications are subject to change without notice.

All dimension are in mm.

